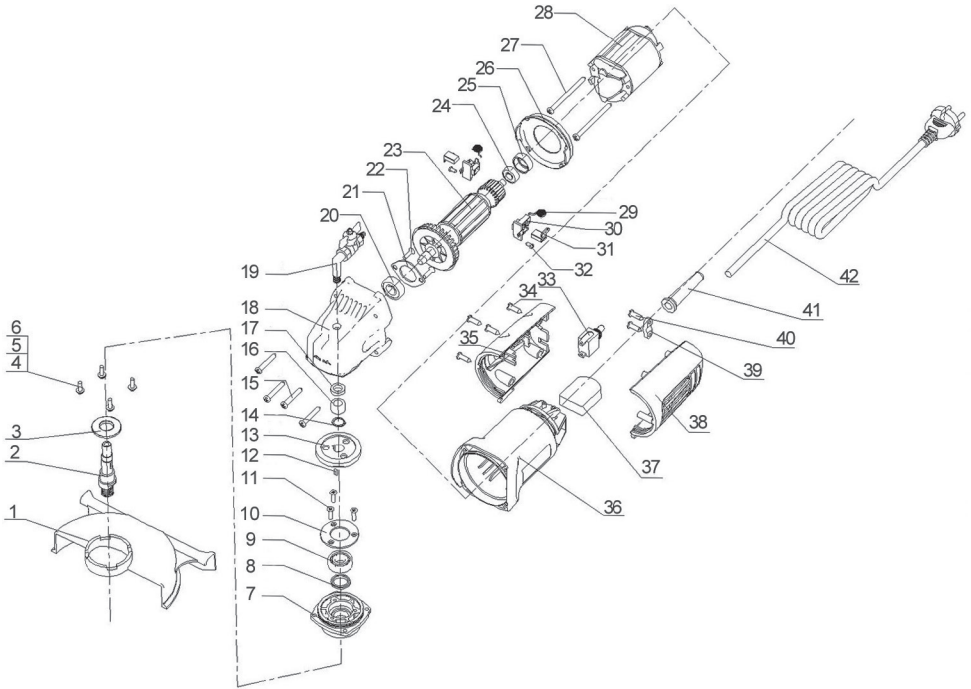


Schematic & Parts list



Part#	Description	Qty.	Part#	Description	Qty.
1	Dust Shroud	1	22	Screw	2
2	Out-put Shaft	1	23	Rotor	1
3	Dust Cover	1	24	Bearing	1
4	Screw	4	25	Bearing Cover	1
5	Plain Washer	4	26	Wind Cover	1
6	Spring Washer	4	27	Screw	2
7	Gear Cover	1	28	Stator	1
8	Oil Seal	1	29	Coil Spring	2
9	Bearing	1	30	Carbon Brush Holder	2
10	Bearing Washer	1	31	Carbon Brush	2
11	Screw	3	32	Screw	2
12	Flat Key	1	33	Switch	1
13	Big Gear	1	34	Screw	4
14	Clamp	1	35	Right Housing	1
15	Screw	4	36	Main Case	1
16	Needle Bearing	1	37	Speed Controller	1
17	Small Oil Seal	1	38	Left Housing	1
18	Gear Case	1	39	Cable Plate	1
19	Faucet	1	40	Screw	2
20	Bearing	1	41	Cable Sleeve	1
21	Bearing Washer	1	42	Cable	1